

aura  
design

Oaka

---



## Oaka Tables



Oaka tables collection is a vast set of conference and occasional tables that can help to organize any meeting.

---

## STRUCTURE

- Chipboard coated on both sides with melamine resin with increased durability - 1st class.
- Chipboard with reduced formaldehyde emission, E1 standard.
- Top finished with 2 mm thick ABS plastic edge with 3 mm radius.
- Top made of 25 mm thick board.



## FRAME

- Self-supporting steel structure comprising of welded elements (legs forming the side or the center of the station) joined with beams whose number depends on the table depth.
- Column made of 65x65 mm profile with a square cross section.
- Depending on the top depth, the leg is equipped with one or two columns.
- Columns are joined with a foot.
- Powder-coated feet as standard. Chromium plated feet as an option with a surcharge.

## HEIGHT

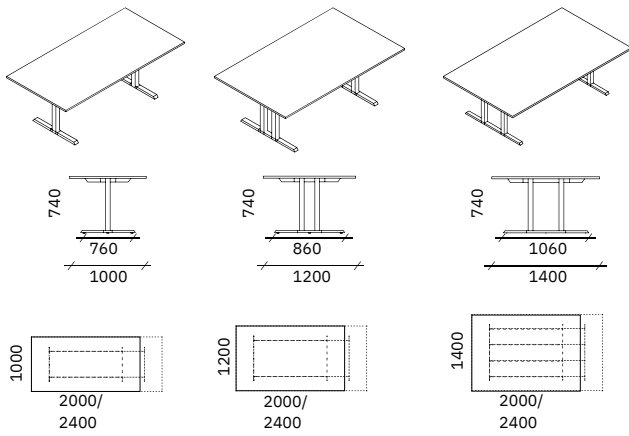
- Fixed height 740 mm, levelling feet +10 mm.

## EQUIPMENT

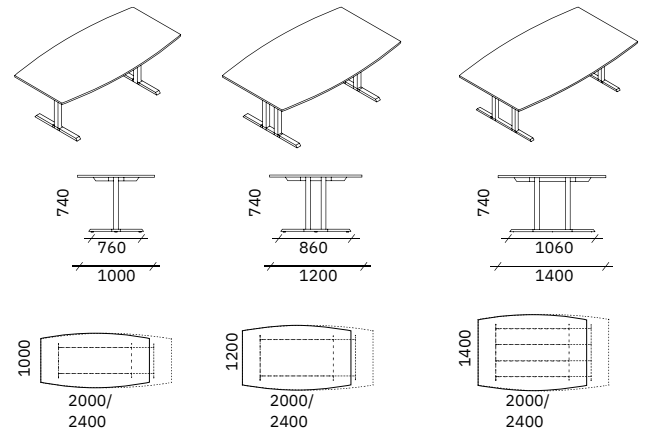
- Cable management through a leg.
- Horizontal cable management: powder-coated fixed or fold-down cable channel or plastic cable clasp as an option with a surcharge.
- Vertical cable management: flexible cable channel or plastic spring as an option with a surcharge.
- Plastic cable outlets and net boxes as an option with a surcharge.



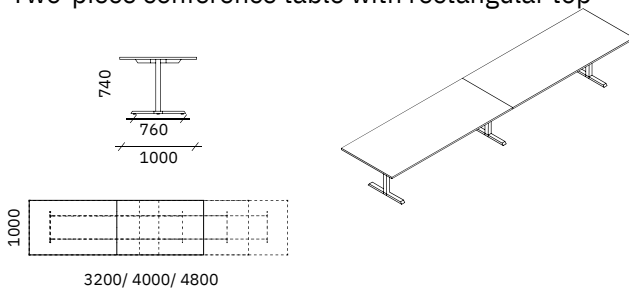
Conference table with rectangular top



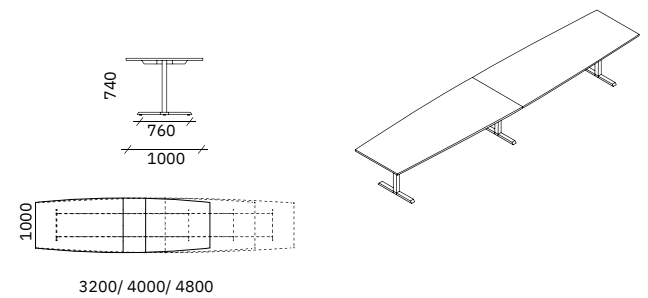
Conference table with barrel-shaped top



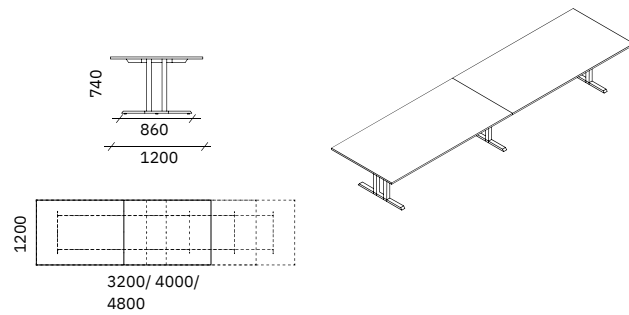
Two-piece conference table with rectangular top



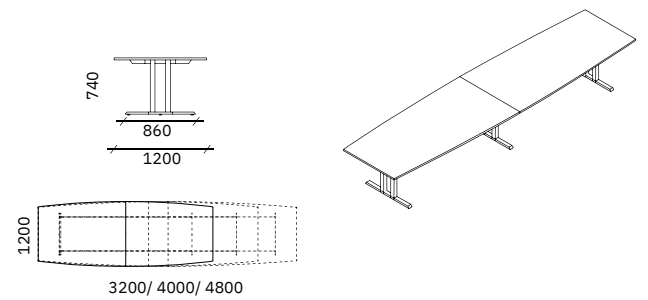
Two-piece conference table with barrel-shaped top



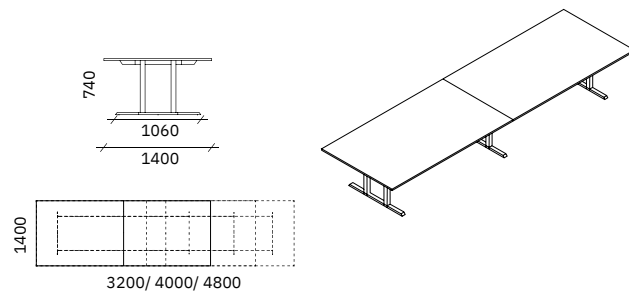
Two-piece conference table with rectangular top



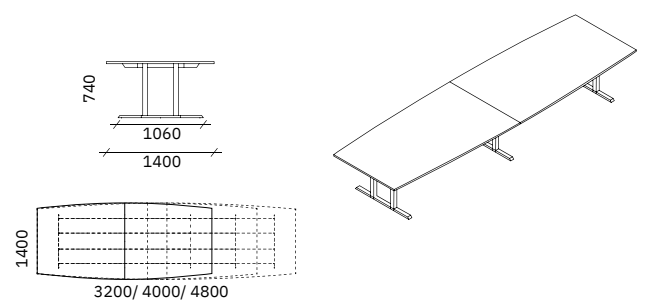
Two-piece conference table with barrel-shaped top



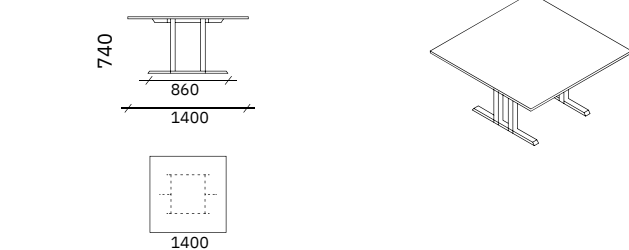
Two-piece conference table with barrel-shaped top



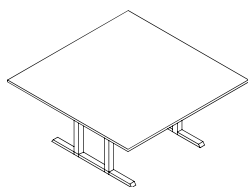
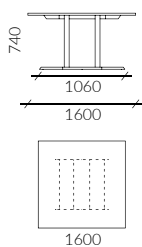
Two-piece conference table with barrel-shaped top



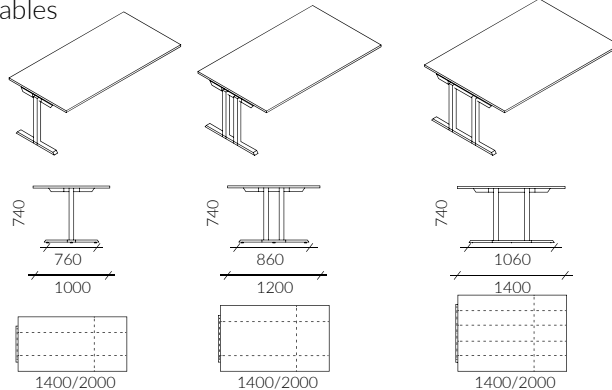
Square conference table



Square conference table

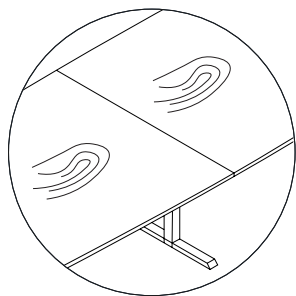


Extension module for conference tables



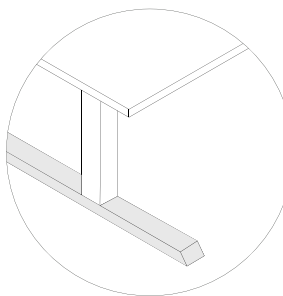
# Oaka / Features

Graining



In two-piece tops continuous graining as standard. Minor displacement possible.

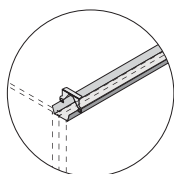
Foot



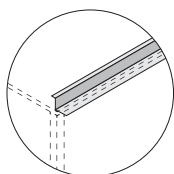
Powder-coated feet as standard. Chromium plated feet as an option with a surcharge. Cables are managed through table legs as standard.

# Oaka / Accessories

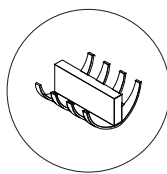
Cable management



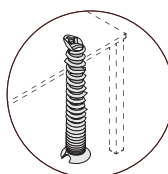
FIXED CABLE CHANNEL



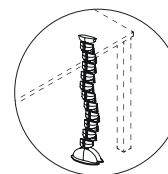
FOLD-DOWN CABLE CHANNEL



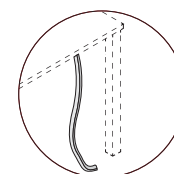
COMB CABLE CLASP



SPRING CABLE CHANNEL

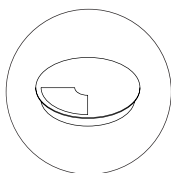


FLEXIBLE CABLE CHANNEL

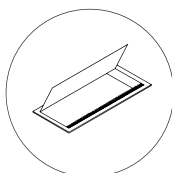


BRAIDED SLEEVE FOR CABLES

Cable outlets

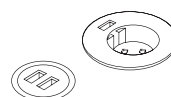


ROUND CABLE OUTLET

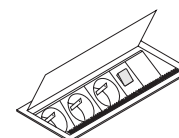


ALUMINUM CABLE OUTLET

Netboxes

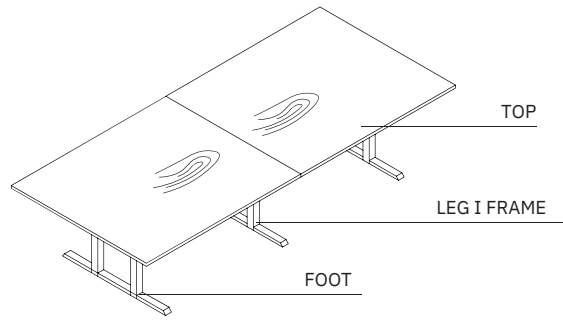
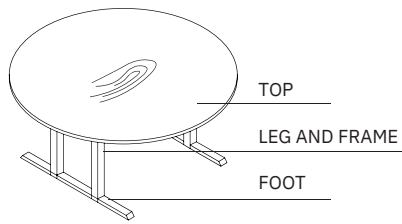


POWER CIRCLE S/M



NETBOX

# Oaka / Colours



		Top	Foot	Leg and Frame
STANDARD	Melamine UNI	STD 1 White	•	
		STD 2 High Gloss		
		STD 3 White Gray	•	
		STD 4 Beige	•	
		STD 5 Norwegian	•	
		STD 6 Green Navy Blue	•	
		STD 7 Graphite	•	
		STD 8 Black	•	
	Melamine	STD 10 Acacia	•	
		STD 11 European Maple	•	
		STD 12 Napolitano Oak	•	
		STD 13 Gray Spruce	•	
		STD 14 American Oak	•	
		STD 15 Natural Oak	•	
		STD 16 Cherry Havana	•	
		STD 17 Walnut Brown	•	
		TREND*	Melamine	TRD 1 Blush
TRD 2 Claret				
TRD 3 Dark Turquoise				
TRD 11 Stark Oak				
TRD 12 Flamed Oak				
STANDARD	Metal	M 02 White		•
		M 01 Aluminu		•
		M 03 m Beige		•
		M 05 Graphite		•
		M 04 Black		•
TREND*	Metall	M 06 Sunny Beige		•
		M 09 Dirty Pink		•
		M 08 Ginger		•
		M 07 Faded Turquoise		•
ABS	Black			

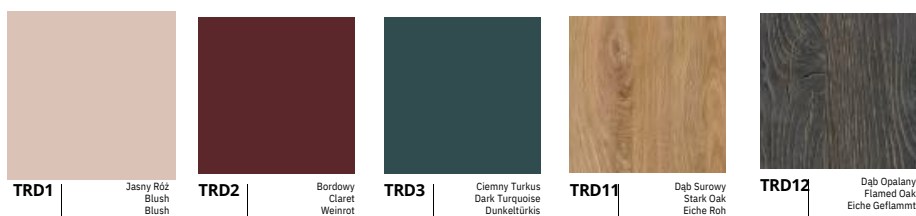
		Top	Foot	
PREMIUM**	HPL	FX1 Fenix Black	•	
		FX2 Fenix White	•	
	Solid wood	RW1 Lacquered		
		RW2 Oak Oiled Oak		
	Stone	ST 1 Nero Greco		
		ST 2 Noir Desir		
		ST 3 Bianco Venato		
	Veneer	VR 4 Burundi Mahogany	•	
		VR 5 Brazilian Rosewood	•	
		VR 6 Flader Oak	•	
Metall	Chrome		•	

# Melamine

① STANDARD

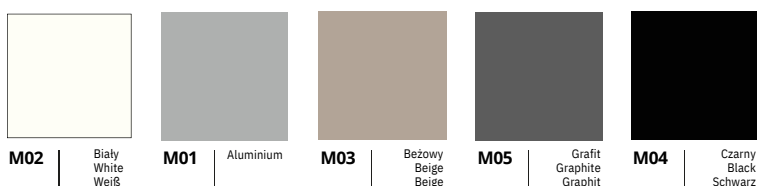


② TREND

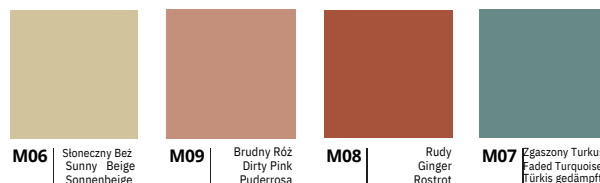


# Metals

① STANDARD



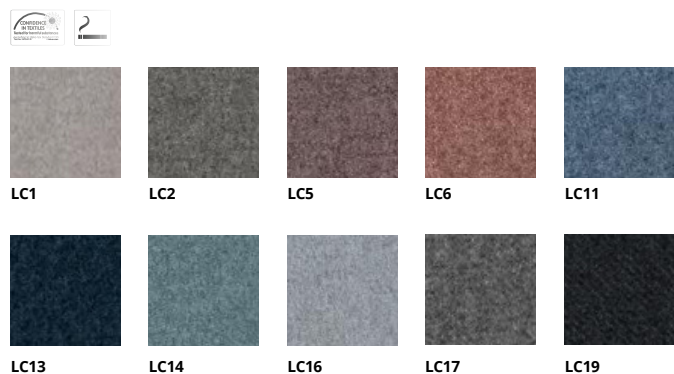
② TREND



# Fabrics

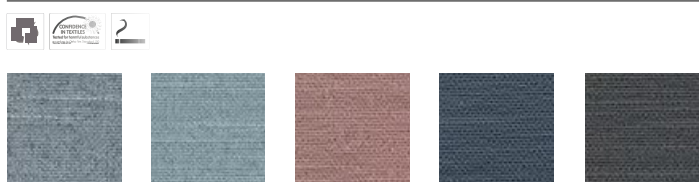
100% Polyester  
100.000 Martindale cycles

① CALDO  
Select by Lech



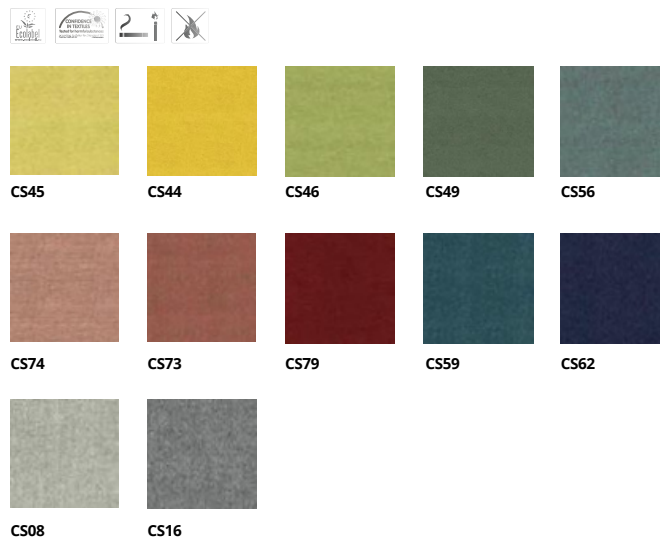
100% Recycled Polyester  
67.000 Martindale cycles

① TERRA  
Select by Lech



95% Virgin Wool, 5% Poliamid  
100.000 Martindale cycles

② SYNERGY  
Camira





# aura design



Hub Spaces, 582 Honeypot Lane, Stanmore, HA7 1JS, UK  
[www.auraadesign.co.uk](http://www.auraadesign.co.uk)  
020 3915 8008  
[info@auraadesign.co.uk](mailto:info@auraadesign.co.uk)