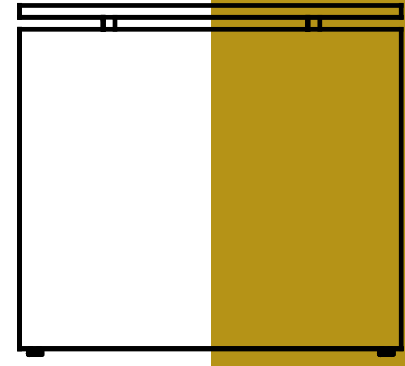


auraa
design

NAIMA DESK



□ Naima

Naima enables companies with tight budgets to create work spaces that are both functional and stylish.

Designed using Structurex® panels, **Naima's** clean lines are the timeless choice for robust furniture. Available in panel leg or open leg with base, the **Naima** modular programme is a complete office layout solution to produce individual or collective installations.

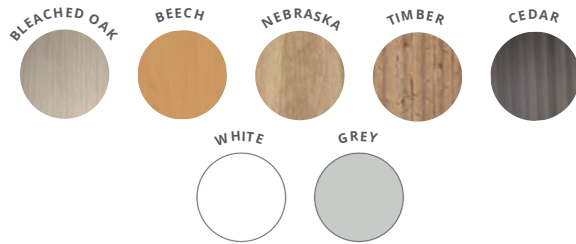




□ NAIMA



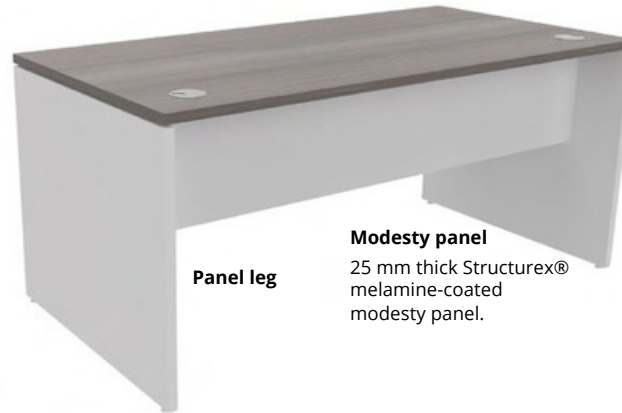
CHARACTERISTICS



— Tops, legs and modesty panels MFC finishes —

Top

25 mm thick Structurex® melamine-coated tops. 2 mm thick shock-proof ABS edging.



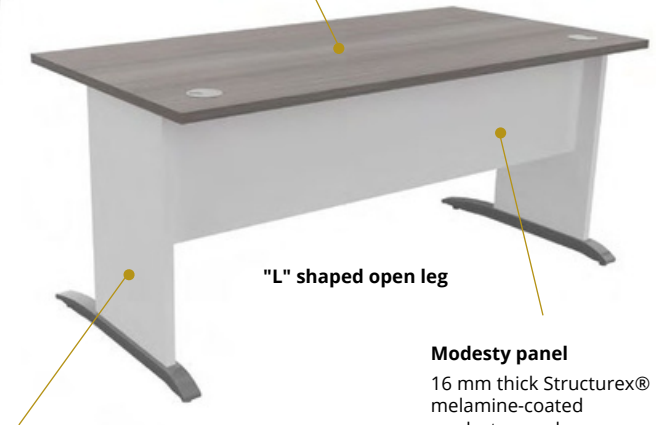
Panel leg

Modesty panel

25 mm thick Structurex® melamine-coated modesty panel.

Top

25 mm thick Structurex® melamine-coated tops. 2 mm thick shock-proof ABS edging.



"L" shaped open leg

Modesty panel

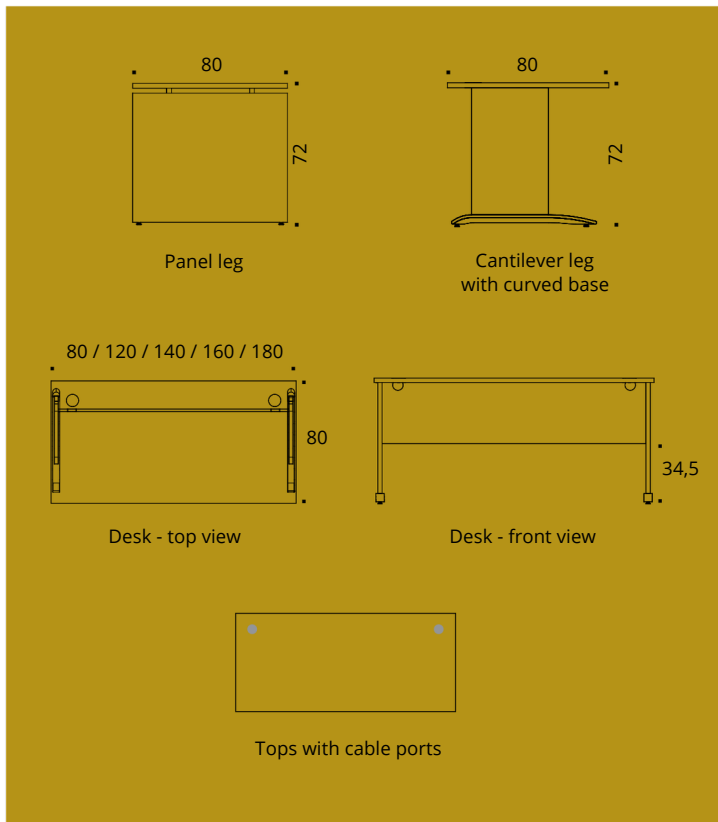
16 mm thick Structurex® melamine-coated modesty panel.

Leg

Panel leg made of a 25 mm thick Structurex® solid panel and metal spacers.

Leg

L-shaped open leg made of a Structurex® panel on a solid wood base with lacquered aluminium finish.



TECHNICAL DESCRIPTION

- 25 mm thick Structurex® melamine-coated tops. 2 mm thick shock-proof ABS edging.
- Tops fitted with Ø 80 mm cable ports (aluminium finish as standard, optional white or black finishes).
- Leg available in 2 versions:
 - Panel leg made of a 25 mm thick Structurex® solid panel and metal spacers (aluminium finish).
 - L-shaped open leg made of a Structurex® panel on a solid wood base with lacquered aluminium finish.
- 25 mm thick Structurex® modesty panel on panel leg desk and 16 mm thick Structurex® modesty panel on open leg desk, with 2 cutouts at the top to feed cables.
- Adjustable screw feet of Ø 25 mm and 10 mm range to compensate for any unevenness in the floor.

aura design



Hub Spaces, 582 Honeypot Lane, Stanmore, HA7 1JS, UK
www.auraadesign.co.uk
020 3915 8008
info@auraadesign.co.uk