

aura
design

Lanny



Lanny Tables



Lanny is a collection of modular furniture which features rectangular desks, desks with tops of different shapes, team desks - Bench desks with electric height adjustment - individual and multi-person workstations and simple conference tables with different tops.

Lanny offers seven leg modules - on four straight legs with round and square cross-section, on four A- and Q-shaped legs with rectangular cross-section, and rectangular, recessed legs –F model.

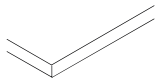
The collection is completed with Lano C and Lano T modules which have two legs with square cross-section placed on a foot. The desks can also be equipped with different accessories such as upholstered, chipboard partition screens, netboxes and cable channels, as well as underdesk sideboards that support the desk.

TOP

- Chipboard coated on both sides with melamine resin with increased durability - 1st class.
- Chipboard with reduced formaldehyde emission, E1 standard.
- Top finished with 2 mm thick ABS plastic edge with 3 mm radius.
- Chipboard tops 25 mm thick as standard.
- Clips for joining tables - 2pcs., screws - 4 pcs. as standard.
- Optional round rubber finish that serves as a bumper.

STRAIGHT EDGE CORNER*

RUBBER EDGE CORNER



* Standard



R = 30 mm



FRAME

- Based on legs with a round cross-section Ø 60 mm.
- Self-supporting steel structure comprising of welded elements.
- Based on 4 castors, 2 castors with brakes.

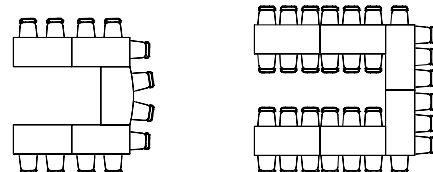
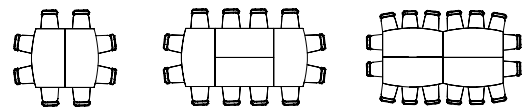


HEIGHT

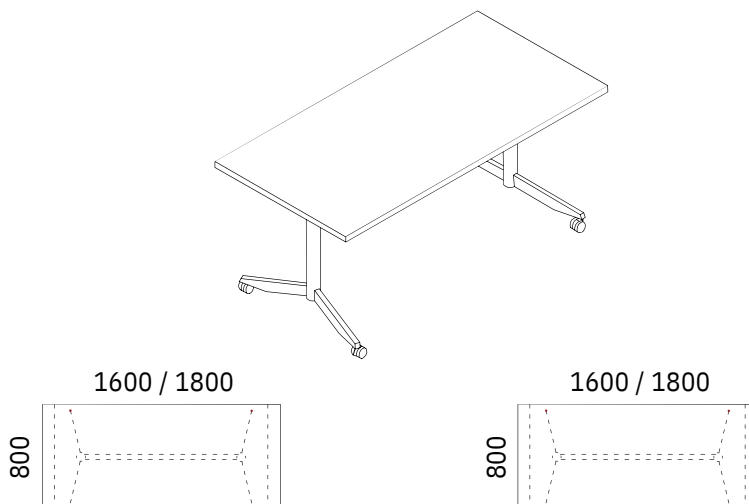
- Fixed height 740 mm and levelling feet +10 mm.

SAMPLE LAYOUTS

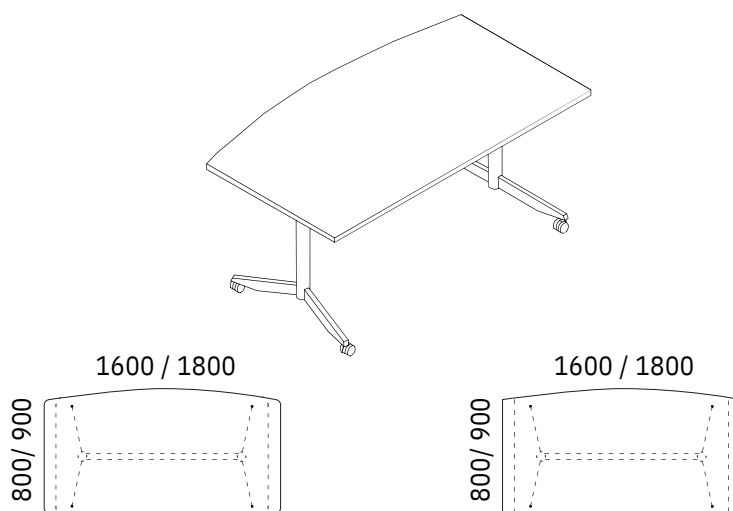
- Sample arrangement possibilities of tables and chairs.



Lanny rectangular top

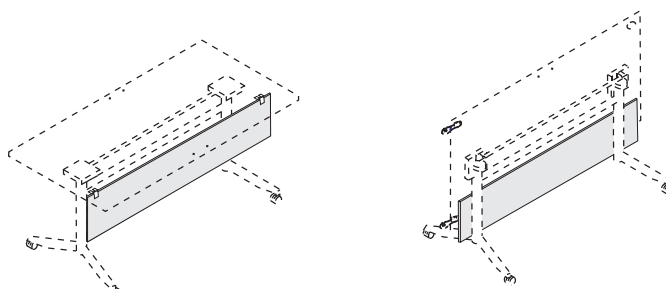


Lanny shaped table

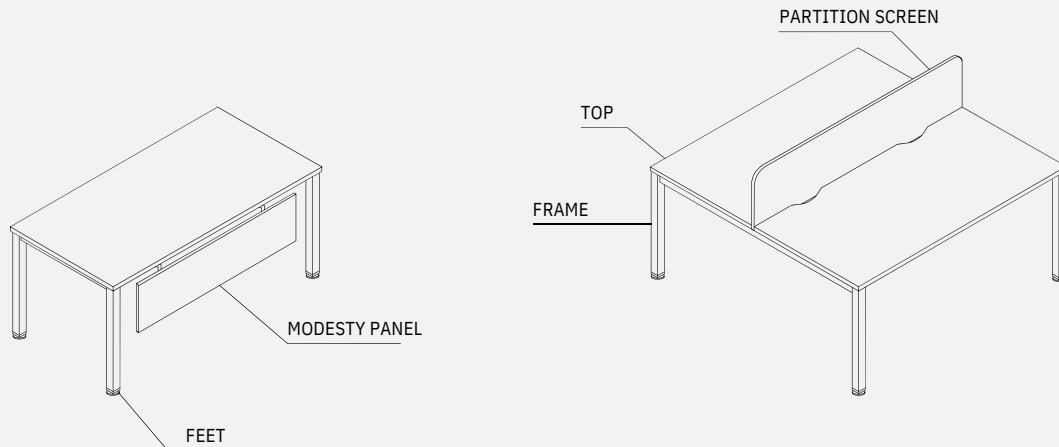


Chipboard modesty panel

Mounted under the table on hinges. Folding together with table top.



Lanny / Colours



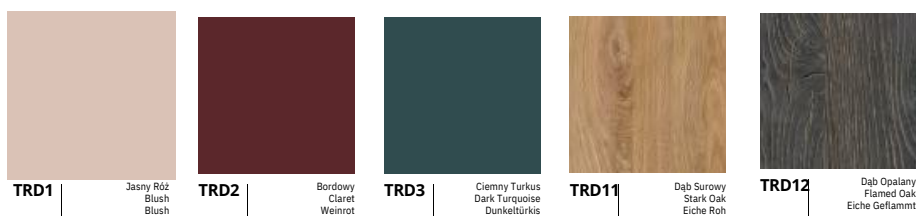
		Top 18 mm	Top 25 mm	Modesty panel	Partition screen	FRAME	FEET	Upholstered partition screen	
STANDARD	Melamina UNI	STD 1 White	•	•	•	•			
		STD 2 High Gloss White							
		STD 3 Gray	•	•	•	•			
		STD 4 Beige	•	•	•	•			
		STD 5 Norwegian Green	•	•	•	•			
		STD 6 Navy Blue	•	•	•	•			
		STD 7 Graphite	•	•	•	•			
		STD 8 Black	•	•	•	•			
	Melamine	STD 10 Acacia	•	•	•	•			
		STD 11 European Maple	•	•	•	•			
		STD 12 Napolitano Oak	•	•	•	•			
		STD 13 Gray Spruce	•	•	•	•			
		STD 14 American Oak	•	•	•	•			
		STD 15 Natural Oaky	•	•	•	•			
		STD 16 Cherry Havana	•	•	•	•			
		STD 17 Walnut Brown	•	•	•	•			
		TREND*	Melamine	TRD 1 Blush	•		•	•	
TRD 2 Claret	•				•	•			
TRD 3 Dark Turquoise	•				•	•			
TRD 11 Stark Oak	•				•	•			
TRD 12 Flamed Oak	•				•	•			
STANDARD	Metal	M 02 White				•			
		M 01 Aluminium				•			
		M 03 Beige				•			
		M 05 Graphite				•			
		M 04 Black				•			
TREND*		M 06 Sunny Beige				•			
		M 09 Dirty Pink				•			
		M 08 Ginger				•			
		M 07 Faded Turquoise				•			
ABS Metal		Black					•		
1st GROUP	Caldo	LC1						•	
		LC2						•	
		LC5						•	
		LC6						•	
		LC11						•	
		LC13						•	
		LC14						•	
		LC16						•	
		LC17						•	
	Terra	LT4						•	
		LT5						•	
		LT10						•	
		LT14						•	
		LT3						•	
								•	
	2nd GROUP	Synergy	CS45						•
			CS44						•
			CS46						•
			CS49						•
CS56								•	
CS74								•	
CS73								•	
CS79								•	
CS59								•	
CS62								•	
CS08						•			
CS16						•			
3rd GROUP	Synergy Quilt	CSI08						•	
		CSV08						•	
		CSI59						•	
		CSV59						•	

Melamine

① STANDARD



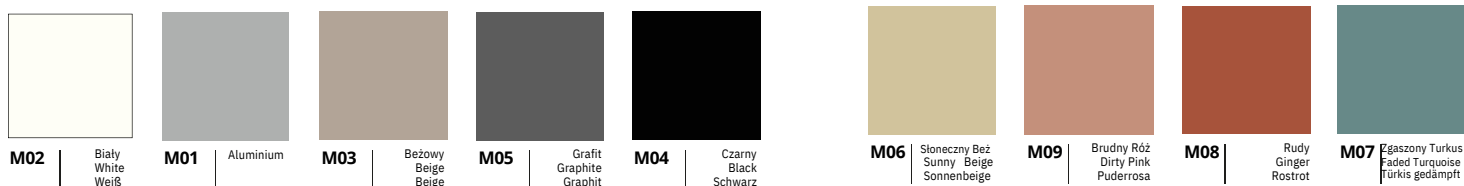
② TREND



Metal

① STANDARD

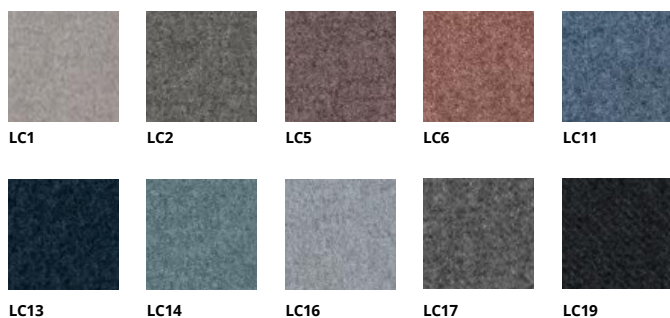
② TREND



Fabrics

100% Polyester
100.000 Martindale cycles

① CALDO
Select by Lech



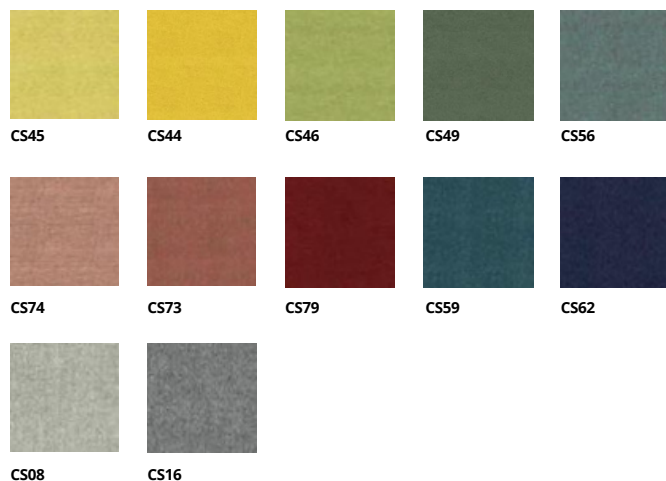
100% Recycled Polyester
67.000 Martindale cycles

① TERRA
Select by Lech



95% Virgin Wool, 5% Poliamid
100.000 Martindale cycles

② SYNERGY
Camira



auraa design



Hub Spaces, 582 Honeypot Lane, Stanmore, HA7 1JS, UK
www.auraadesign.co.uk
020 3915 8008
info@auraadesign.co.uk