

aura
design

Lamya



Desk Lamya



Lamya is a collection of modular furniture which features rectangular desks, desks with tops of different shapes, team desks - Bench desks with electric height adjustment - individual and multi-person workstations and simple conference tables with different tops.

Lamya offers seven leg modules - on four straight legs with round and square cross-section, on four A- and Q-shaped legs with rectangular cross-section, and rectangular, recessed legs – F model.

The collection is completed with Lano C and Lano T modules which have two legs with square cross-section placed on a foot. The desks can also be equipped with different accessories such as upholstered, chipboard partition screens, netboxes and cable channels, as well as underdesk sideboards that support the desk.

TOP

- Chipboard coated on both sides with melamine resin with increased durability - 1st class.
- Chipboard with reduced formaldehyde emission, E1 standard.
- Top finished with 2 mm thick ABS plastic edge with 3 mm radius.
- Chipboard top 25 mm thick as standard.
- Chipboard top 18 mm thick as an option - desk 7 mm lower.
- Sliding top - as an option with a surcharge

HEIGHT ADJUSTMENT

- Fixed height 740-820 mm and levelling feet +10 mm.
- 650-850 mm height adjustment in 10 mm increments and leveling feet +10 mm.

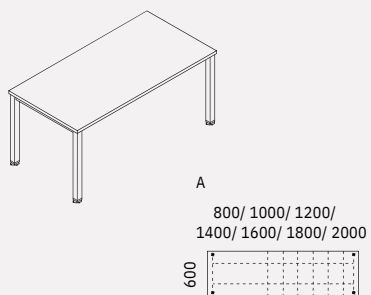


FRAME

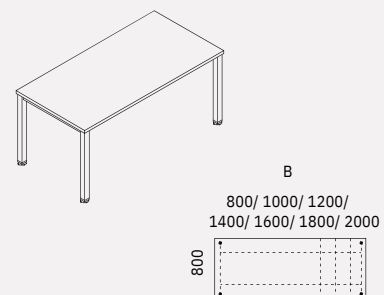
- 4 legs frame with rectangular cross-section 60x30 mm.
- A-shaped legs at an angle of 90.
- Self-supporting steel structure comprising of welded elements (legs forming the side of the station) joined with beams.
- L-shaped desks are equipped with an extra middle leg with a rectangular cross-section and 60x30 mm.



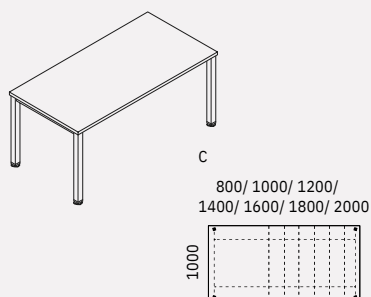
Lamya top A



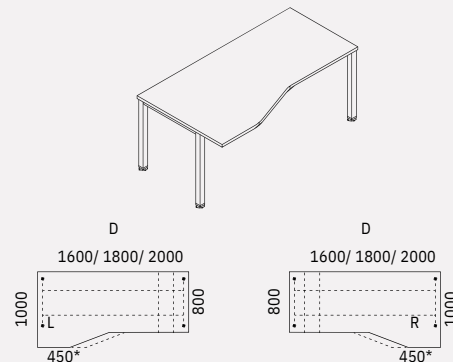
Lamya top B



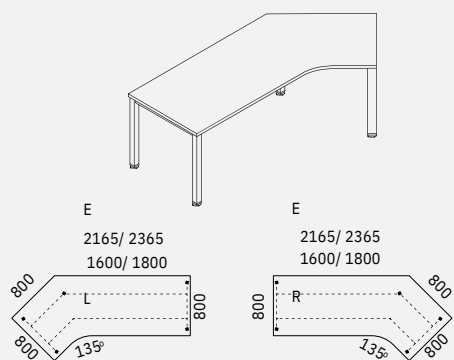
Lamya top C



Lamya top D

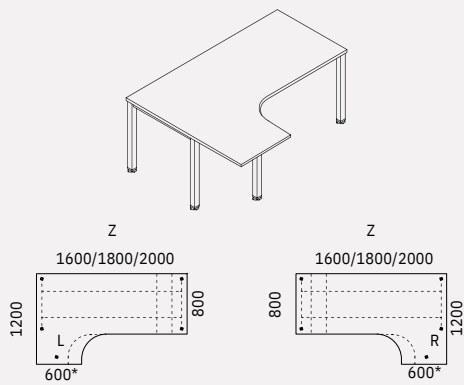


Lamya top E

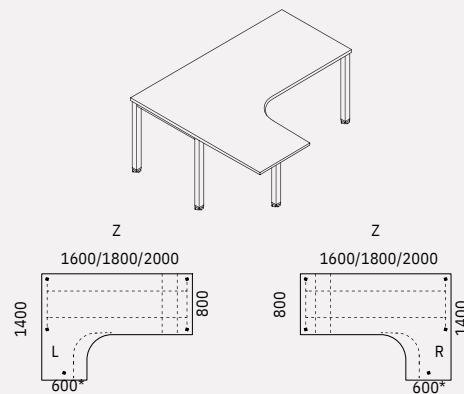


*Niezależna noga, przykręcana bezpośrednio do blatu - 1 szt.

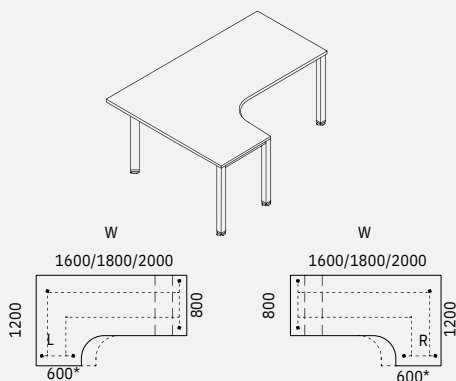
Lamya top Z



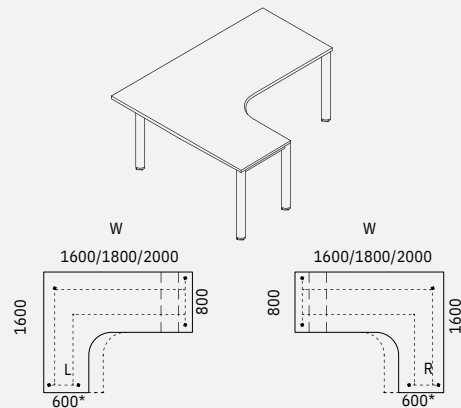
Lamya top ZZ



Lamya top W



Lamya top WW



Lamya / Equipment

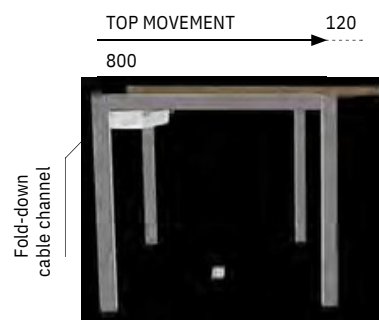
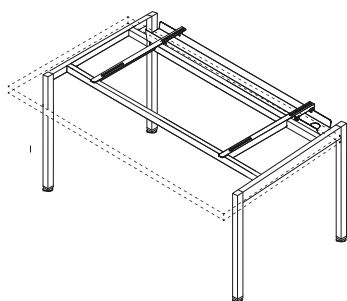
Sliding top

A sliding top makes it easier to access a horizontal cable channel. In individual desks, the sliding top is optional, in team desks it comes as standard.

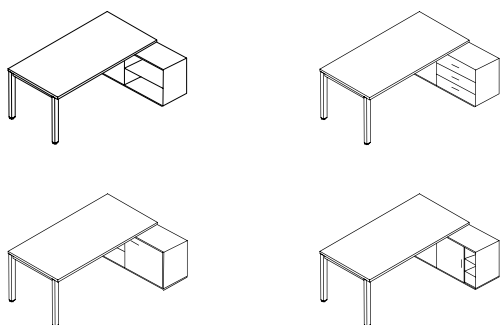
- The top is equipped with a slide lock which can be released with a single click.
- The sliding top comes in a set with a fold-down cable channel.

It is possible to fit a suspended front partition screen. It is necessary to clearly indicate the sliding top option while making an order as it affects the structure of the desk.

- Sliding range 120 mm.
- Recommended accessories - brush cable outlet.

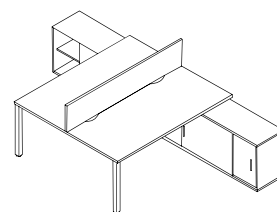


Desk supported on sideboard

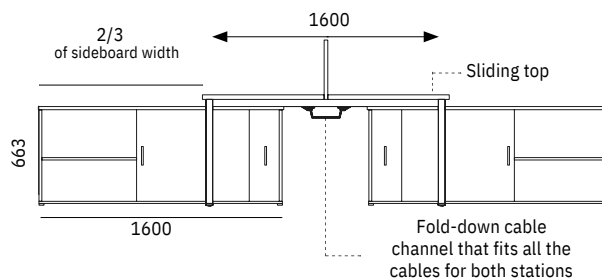


Sideboard for desk support is slid under 2/3 of the desk.

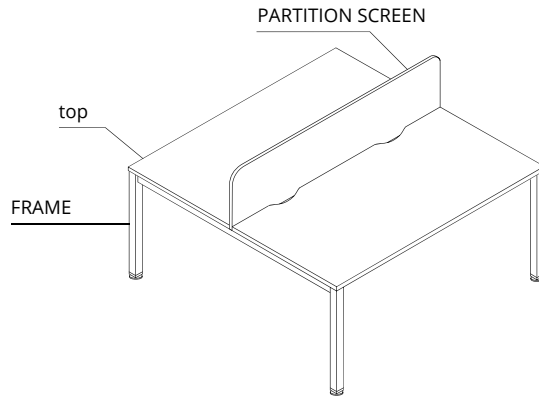
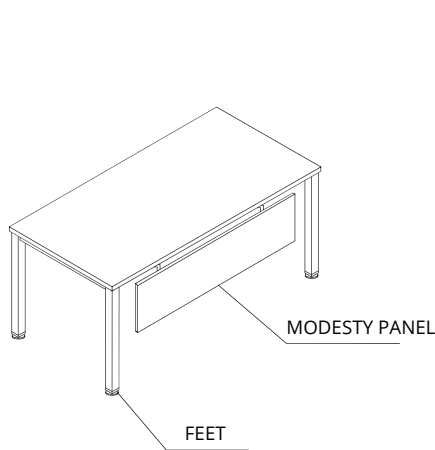
Sliding top and effortless access to fold-down cable channel still available.



Lamya desks can be supported on sideboards. It is possible to choose add-on shelf units, cabinets with two-sided sliding doors and drawers.



Lamya / Colors



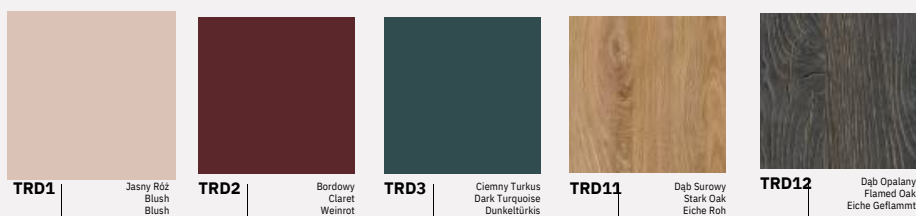
			Top 18 mm	Top 25 mm	Modesty panel	Partition screen	FRAME	FEET		
STANDARD	Melamina UNI	STD 1	White			
		STD 2	High Gloss White							
		STD 3	Gray			
		STD 4	Beige			
		STD 5	Norwegian Green			
		STD 6	Navy Blue			
		STD 7	Graphite			
		STD 8	Black			
	Melamine	STD 10	Acacia			
		STD 11	European Maple			
		STD 12	Napolitano Oak			
		STD 13	Gray Spruce			
		STD 14	American Oak			
		STD 15	Natural Oaky			
		STD 16	Cherry Havana			
		STD 17	Walnut Brown			
		TREND*	Melamine	TRD 1	Blush	.	.	.		
		TRD 2	Claret	.	.	.				
		TRD 3	Dark Turquoise	.	.	.				
		TRD 11	Stark Oak	.	.	.				
		TRD 12	Flamed Oak	.	.	.				
STANDARD	Metal	M 02	White				.			
		M 01	Aluminium				.			
		M 03	Beige				.			
		M 05	Graphite				.			
		M 04	Black				.			
TREND*		M 06	Sunny Beige				.			
		M 09	Dirty Pink				.			
		M 08	Ginger				.			
		M 07	Faded Turquoise				.			
ABS Metal			Black					.		
1st GROUP										
Caldo										
			LC1	.						
			LC2	.						
			LC5	.						
			LC6	.						
			LC11	.						
			LC13	.						
			LC14	.						
			LC16	.						
			LC17	.						
			LC19	.						
Terra										
			LT4	.						
			LT5	.						
			LT10	.						
			LT14	.						
			LT3	.						
2nd GROUP										
Synergy										
			CS45	.						
			CS44	.						
			CS46	.						
			CS49	.						
			CS56	.						
			CS74	.						
			CS73	.						
			CS79	.						
			CS59	.						
			CS62	.						
			CS08	.						
			CS16	.						
3rd GROUP										
Synergy Quilt										
			CSI08	.						
			CSV08	.						
			CSI59	.						
			CSV59	.						

Melamine

① STANDARD



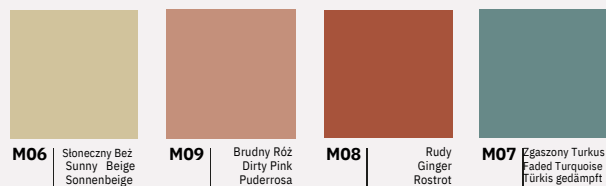
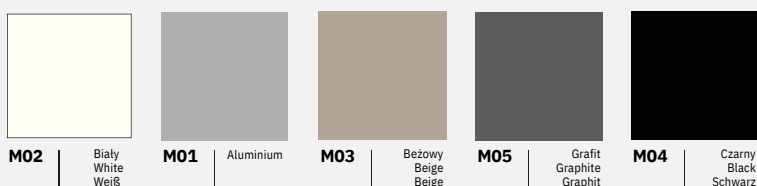
② TREND



Metal

① STANDARD

② TREND



Fabrics

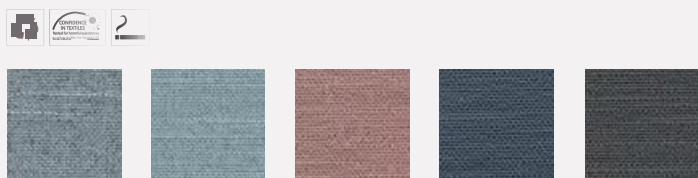
100% Polyester
100.000 Martindale cycles

① CALDO
Select by Lech



100% Recycled Polyester
67.000 Martindale cycles

① TERRA
Select by Lech



95% Virgin Wool, 5% Poliamid
100.000 Martindale cycles

② SYNERGY
Camira



aura design



Hub Spaces, 582 Honeypot Lane, Stanmore, HA7 1JS, UK
www.auraadesign.co.uk
020 3915 8008
info@auraadesign.co.uk