

aura
design

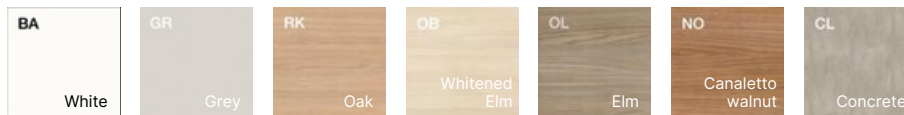
Fauci



TOPS

25mm easy to clean scratch-resistant anti-reflective melamine faced chipboard (MFC) tops finished with 2mm matching straight ABS impact resistant edges. Panel density: 670/730 kgs per cubic meter

Finish options:



FRAME

Column, H-shaped beam and base made from epoxy powder coated tube.

H-shaped beam made from 1.5mm 40x20mm tubes, screws to the lifting columns and the top.



Lifting columns made from 2mm 80x50mm tube.

Finish options:



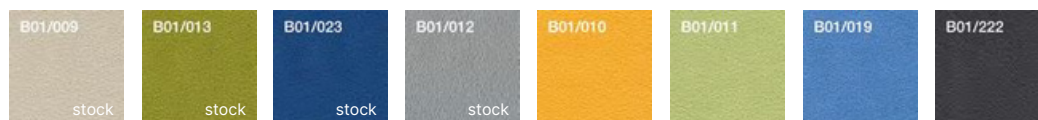
FABRIC SCREENS

18mm easy to clean scratch-resistant anti-reflective melamine faced chipboard (MFC) finished with 2mm matching straight ABS impact resistant edges. Panel density: 670/730 kgs per cubic meter. This MFC panel is supplied wrapped with Offisit B01 fabric.

ACOUSTIC SCREENS

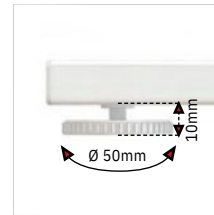
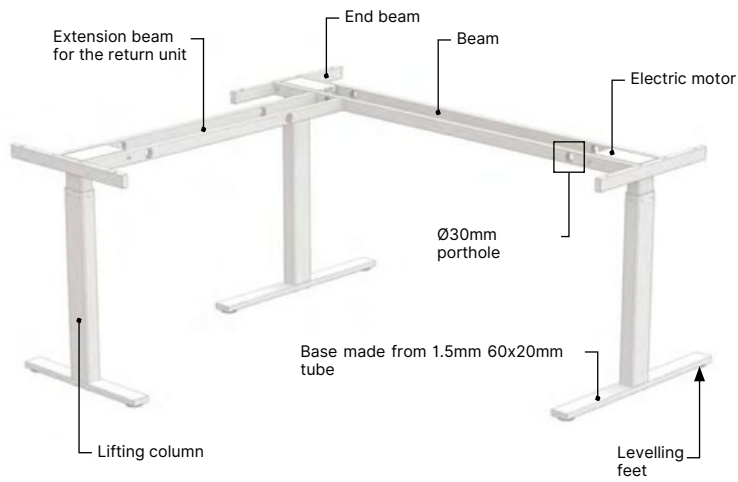
Acoustic core made from thermoformed polyester upholstered in Offisit B01 fabric in a variety of color options. Lower surface made from 18mm easy to clean scratch-resistant anti-reflective melamine faced chipboard (MFC) finished with 2mm matching straight ABS impact resistant edges. The surface is available in white or silver finish. End brackets made from epoxy powder coated aluminium in a matching finish to the desk frame.

Finish options:



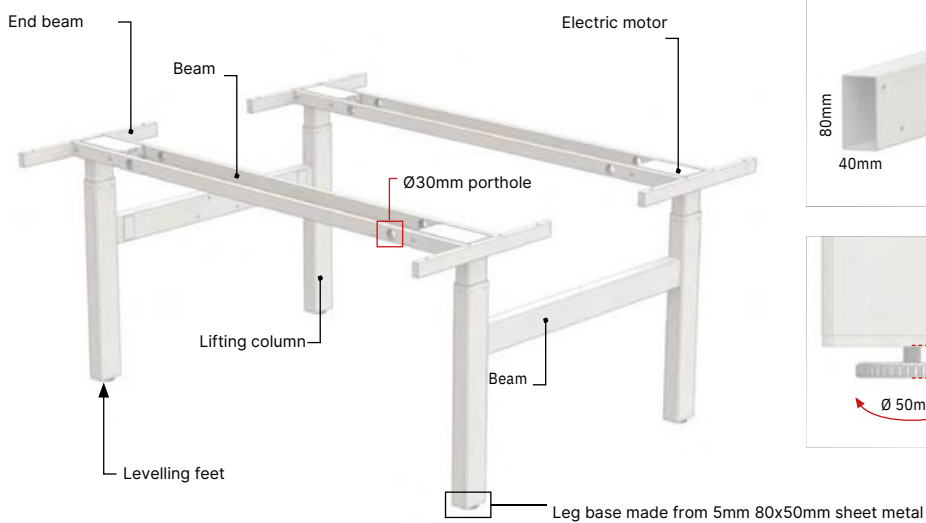
5 week production lead time, exclusive of delivery, for non-stock fabrics.

L-SHAPED DESK



0-10mm steel adjustable levelling feet with round nylon molded scratch-resistant base. 50mm diameter.

BENCH DESK



Beam linking lifting columns made from 1.5mm 80x40mm tube, screws to the columns.



0-5mm steel adjustable levelling feet with round nylon molded scratch-resistant base. 50mm diameter.

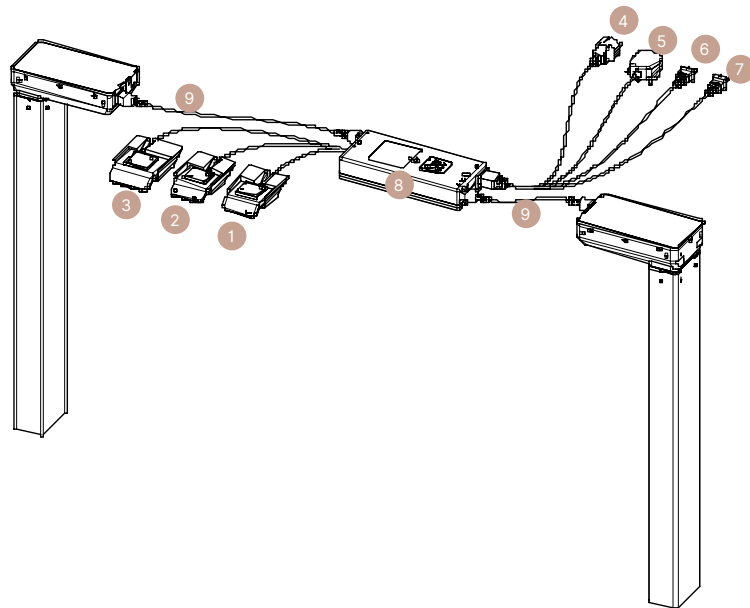
LIFTING SYSTEM

Electric motor housing at the top of each column. Maximum thrust 800N per column. Electronic controller for two, three, four lifting columns in black ABS. The electronic control unit simultaneously synchronises and levels the adjustments of all lifting columns and is supplied with collision detection and automatic stop. Each movement starts slowly and quietly and glides gently into a stop when complete. 230V/50Hz input power or in the UL version 100-230V/50Hz. Power consumption on stand-by mode not more than 0.1W. 2.0 meter long power cable, available plugs European Schuko Type F, UK 3-pin Type G, Swiss 3-pin Type J, US type A.

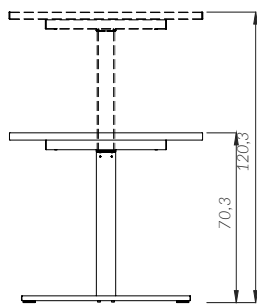
Standard control unit. Black ABS housing. Supplied with no programmable memory, mounted under the desk surface. Optional control unit with two programmable memories. Black ABS housing. Push pull control unit to raise/lower lifting columns. Two programmable memories to store favourite heights, Bluetooth® technology between the desk and an advanced mobile app. Screws to the underside of the top.

Optional control unit with four programmable memories. Black ABS housing. Push pull control unit to raise/lower lifting columns. Four programmable memories to store favourite heights, Bluetooth® technology between the desk and an advanced mobile app. Screws to the underside of the top.

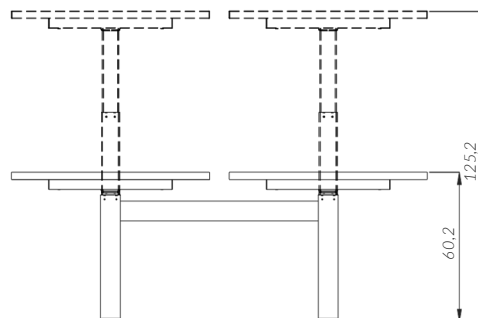
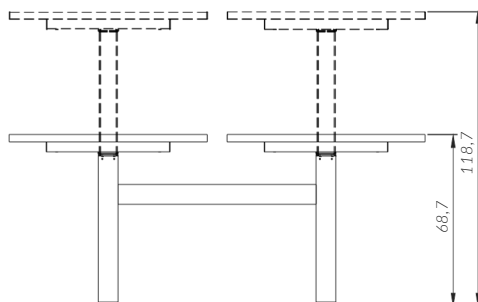
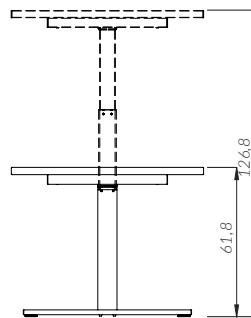
- 1) Standard control unit
- 2) Control unit 2 programmable memories
- 3) Control unit 4 programmable memories
- 4) Power cable European Schuko-type plug
- 5) Power cable UK 3-pin plug
- 6) Power cable Swiss 3-pin plug
- 7) Power cable US plug
- 8) Electronic control unit
- 9) Cable to electric motor



2-stage legs



3-stage legs



CABLE MANAGEMENT



Cable basket Fauci
in steel wire



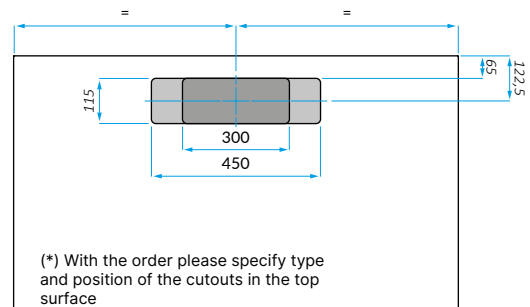
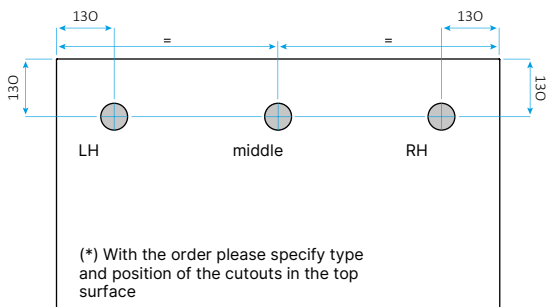
Translucent ABS cable
spine



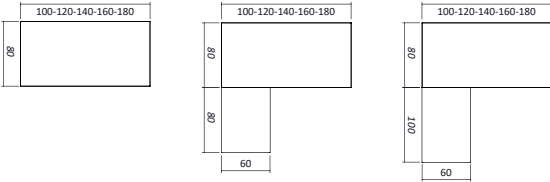
ø60mm ABS grommet
(*)



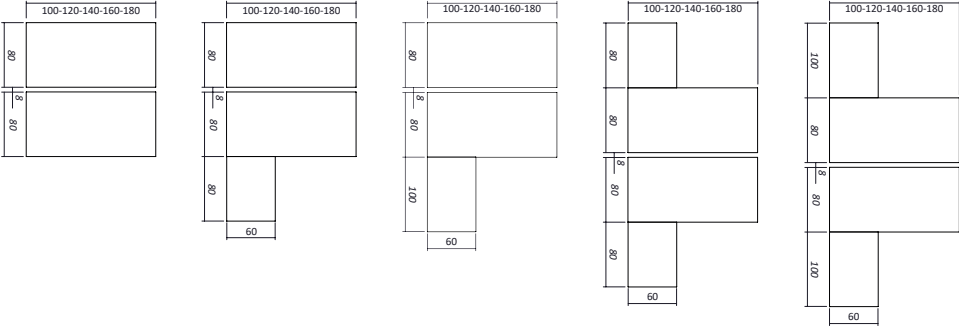
Aluminium cable flap with open ended
cable tray under (*)



DESKS



BENCH DESKS





ø60mm ABS grommet



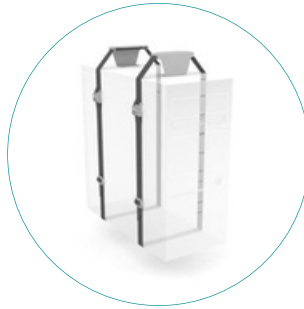
Aluminium cable flap with open ended cable tray under (*)



Cable basket Fauci in steel wire



Translucent ABS cable spine



"Strap" CPU holder



Monitor stand



Fauci desk mounted screens



Tower storage unit



MATERIALS AND RECYCLABILITY

MFC panels used for Fauci range tables are solely manufactured with 100% recycled wood and fully meet requisites of formaldehyde low emissions (CATAS certification Quality Award CARB). Rasins used for panels and melamines are free of SVHC substances (to be found in the ECHA list updated as of 12/01/2017).



CERTIFICATES

Auraa Design Sistemi d'Arredo is always looking for quality and respect for the environment in all of its production processes. Today Auraa Design Group is UNI EN ISO 9001:2000, UNI EN ISO 14001:2004, BS OHSAS 18001:2007 as well as FSC™ certified and Ecological Panel.



GREEN ENERGY

The Company had installed the photovoltaic system with 4.500 solar panels in a 7.350 m² surface that covers almost entirely the factory. The photovoltaic is able to produce 1Mw of a quiet green energy, that does not harm the environment and is waste-free. With his high production capacity the photovoltaic allows us to reduce emissions in the atmosphere of all those polluting substances and to those that contribute to the greenhouse effects. Consequently, such measures make us save every year 180 tonne of petrol oil, 440 tonne of CO₂, 514kg of sulphur dioxide, 448 kg of nitrogen oxide and 23kg of dust.



TRANSPORT

Detachable systems. Volumes that facilitate the optimization of space. Maximum reduction of energy consumption by transport.

aura design



Hub Spaces, 582 Honeypot Lane, Stanmore, HA7 1JS, UK
www.auraadesign.co.uk
020 3915 8008
info@auraadesign.co.uk