

auraa
design

Fahri Meeting Table

Fahri

Technical information





FEATURES

- Easy to assemble and disassemble - “metal to metal” construction
- Just one tool for assembling
- Bolted connections (without screws)

TECHNICAL INFORMATION

Tabletop

- 25 mm MFC (melamine) with 2 mm ABS edging;
- 26 mm MDF covered in HPL with sloping painted edges;
- Sloping painted edges: white or black colour;
- The corners of sloping desktop are rounded: R100 mm;
- 10 mm gap between the legs and the desktop.

Metal beam

- Metal tube - 40x20 mm;
- With welded metal plates for leg fixing;
- Powder coated metal.

Legs (meeting tables)

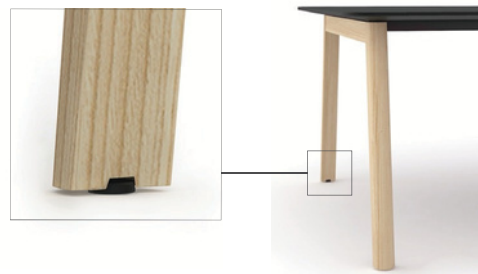
- Lacquered and stained natural ash solid wood;
- Glued wood construction;
- With metal inserts for fixing;
- Plastic feet with height levelling (+10 mm).

Central leg (solid wood leg fixed into metal tube)

- Lacquered and stained natural ash solid wood;
- Glued wood construction;
- With metal inserts for fixing;
- Plastic feet with height levelling (+10 mm);
- Metal tube: 120x40 mm, powder coated metal.

Legs (coffee tables)

- Lacquered and stained natural ash solid wood;
- Glued wood construction;
- Powder coated metal;
- Plastic feet with height levelling (+10 mm).



Electrical and cable management



With power sockets



With insert and power sockets



With insert for wire management

Edge type



ABS edge (melamine)



Sloping edge (HPL)

Inserts

- Lacquered and stained;
- 25 mm chipboard covered in ash wood veneer with 1.5 mm edging (for plain edges desktops);
- 26 mm MDF covered in ash wood veneer with 1.5 mm edging (for sloping edges desktops).

Grommets

- Lacquered and stained;
- 9 mm MDF covered in ash wood veneer with painted edges.

Cable tray (included)

- Dimensions: 500x100, H=110mm;
- Matches the colour of frame.

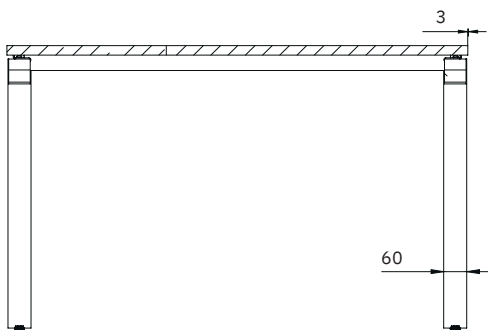
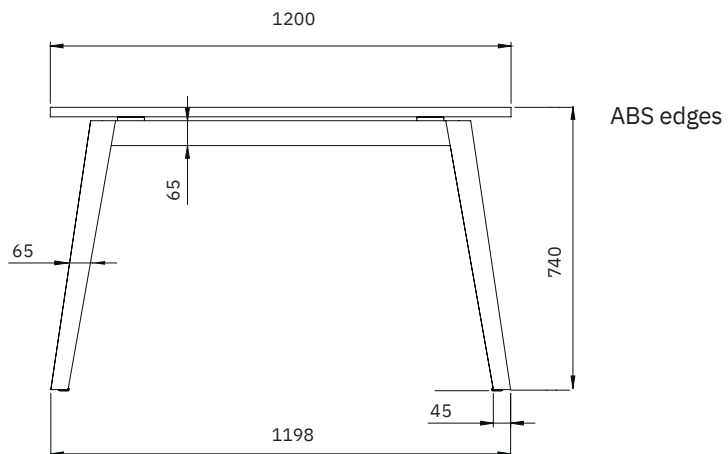


Table with melamine tabletop



ABS edges

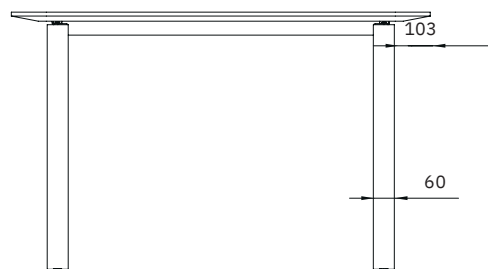
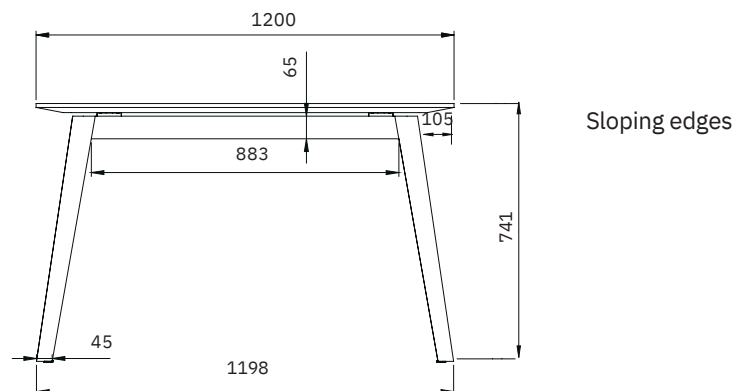
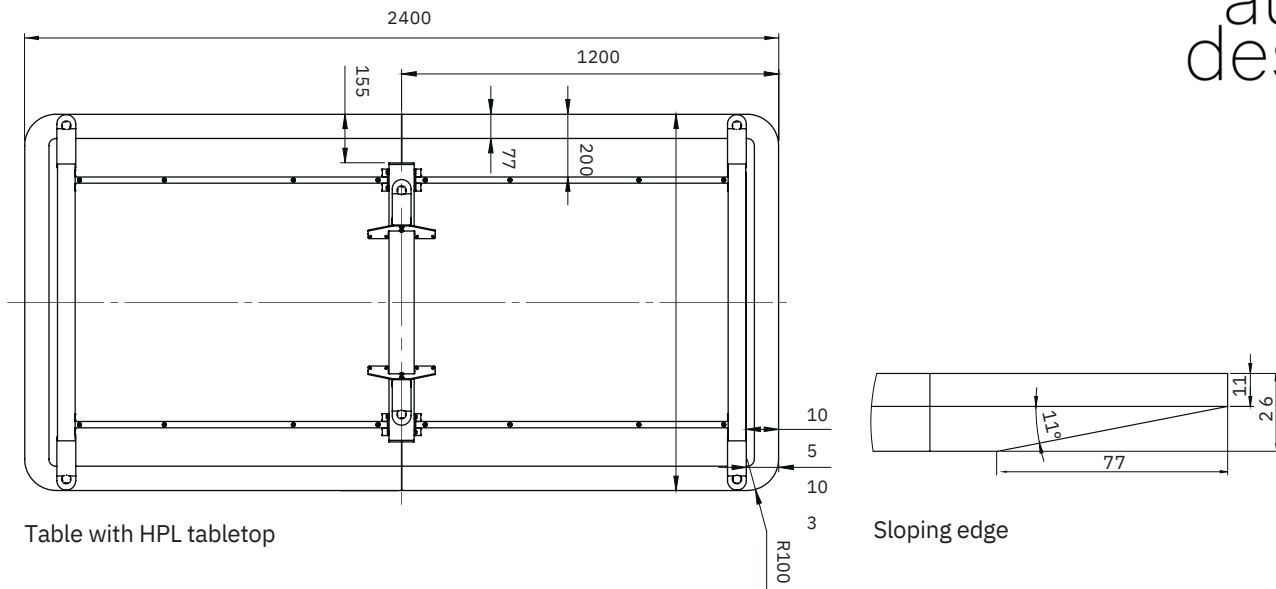


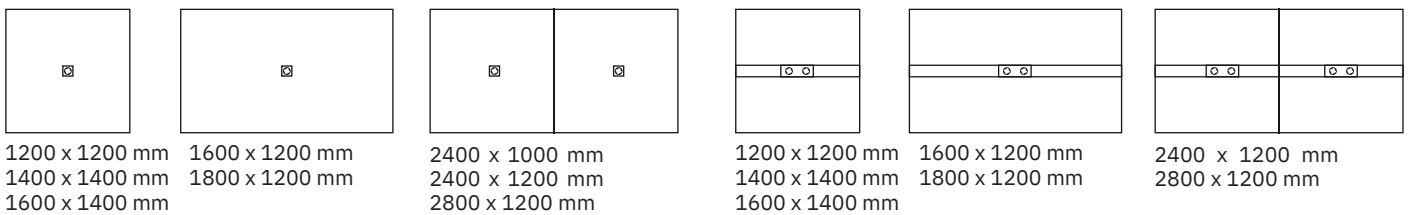
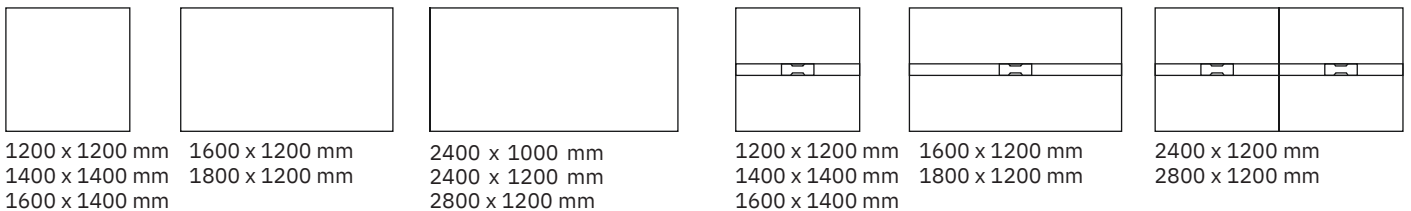
Table with HPL tabletop



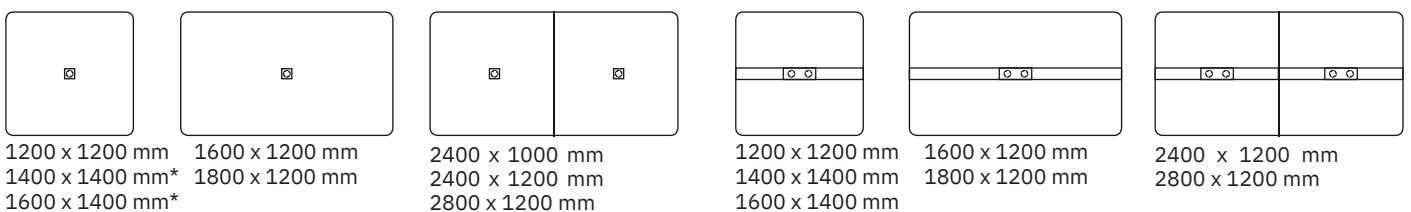
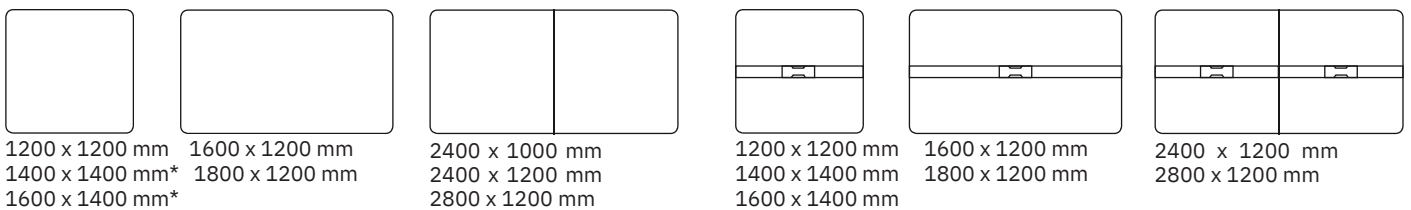
Sloping edges



RANGE



Meeting tables with melamine tabletop



Meeting tables with HPL tabletop

*Not available in HPL: H70B01 and H70B03



Coffee tables with melamine tabletop

Coffee tables with HPL tabletop

Optional



Power socket
blocks



Cable clips



Cable ducts



Vertical metal cable
tray (suitable only for
central wood leg)

Fahri / Colors

Melamine

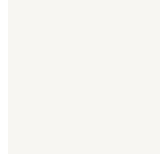
① Group



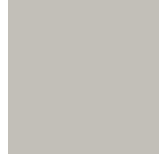
Whitened Oak (D1)



Amber Oak (D2)



White (M1)



Pearl Grey (N3)



Dark Grey (N1)

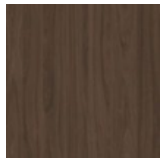


White with Amber
Oak edge (M1D2)

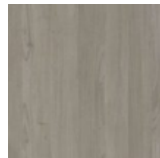
② Group



Sand Ash (D3)



Dark Walnut (D4)



Grey Wood (D5)

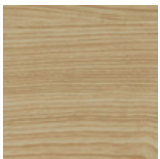


Cubanit Grey (N2)



Black (J4)

Wooden Legs

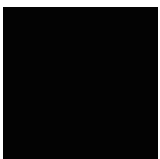


Stained Natural Ash
(W2)



Ash Stained Black
(W3)

Metal Frame



Black (A)



Grey (M)

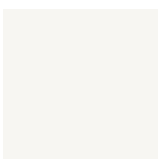


White (E)



Dark Grey (T1)

HPL Desktop

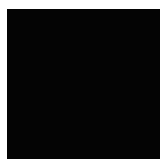


White with White
edge (H70B02)

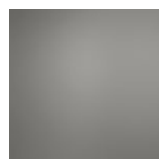


White with Black
edge (H70B01)

HPL Fenix Desktop



Black with Black
edge (H16B01)



Grey with Grey edge
(H17B03)

aura design



Hub Spaces, 582 Honeypot Lane, Stanmore, HA7 1JS, UK
www.auraadesign.co.uk
020 3915 8008
info@auraadesign.co.uk