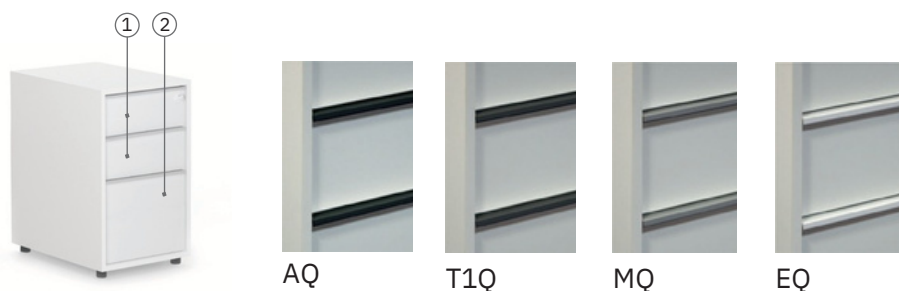


aura
design

Alessio storage



TECHNICAL INFORMATION



Carcass

- Made of 18 mm MFC (melamine) with 1 mm ABS edging;
- Top panel made of 25 mm MFC (melamine) with 2 mm ABS edging.

Drawers

- Front made of 18 mm MFC (melamine);
- Bottoms made of white colour 16 mm MFC (melamine);
- Drawer (1): white metal sided H=86 mm, L=500 mm with- out a full extension;
- Drawer (2): white metal sided H=86 mm, L=500 mm with a full extension. Suitable for A4 and foolscap files;
- Central locking (without anti-tilt);
- Handle made of anodized aluminium profile;
- Load max. 25 kg for each drawer;
- DNF422 load max. 15 kg for both drawers.

Glides / castors / details

- H=740 mm – 4 plastic height levelling feet, H=23 mm +10 mm;
- H=560 mm – 4 castors twin wheel castor diameter 37 mm. Load max. 70 kg per castor;
- H=500 mm (DNF530 and DNF531) – 2 plastic glides + 2 castors;
- H=410 mm - fixed under the top, with special details made from 25 mm MFC (melamine).

Mobile pedestals

- Plastic pencil drawer included;
- No handles;
- Pedestal DNF531 with silent closing mechanism.



TECHNICAL INFORMATION



Handle type (colour + handle code)

Alessio Cabinets

- Handles made from powder coated metal, hole for fixing - 128 mm;
- With or without lock.

Carcass

- 18 mm MFC (melamine) with 1 mm ABS edging.

Back

- 18 mm MFC (melamine). Line cabinet with Plexiglas (Perspex) insert.

Shelves

- 18 mm MFC (melamine) with 1 mm ABS edging;
- Load capacity 25kg.

Doors

- Doors with hinges from 18 mm MFC (melamine) with 1 mm ABS edging. Line cabinet with Plexiglas (Perspex) insert;
- Sliding doors from 18 mm MFC (melamine) with 1 mm ABS edging with plastic runners.

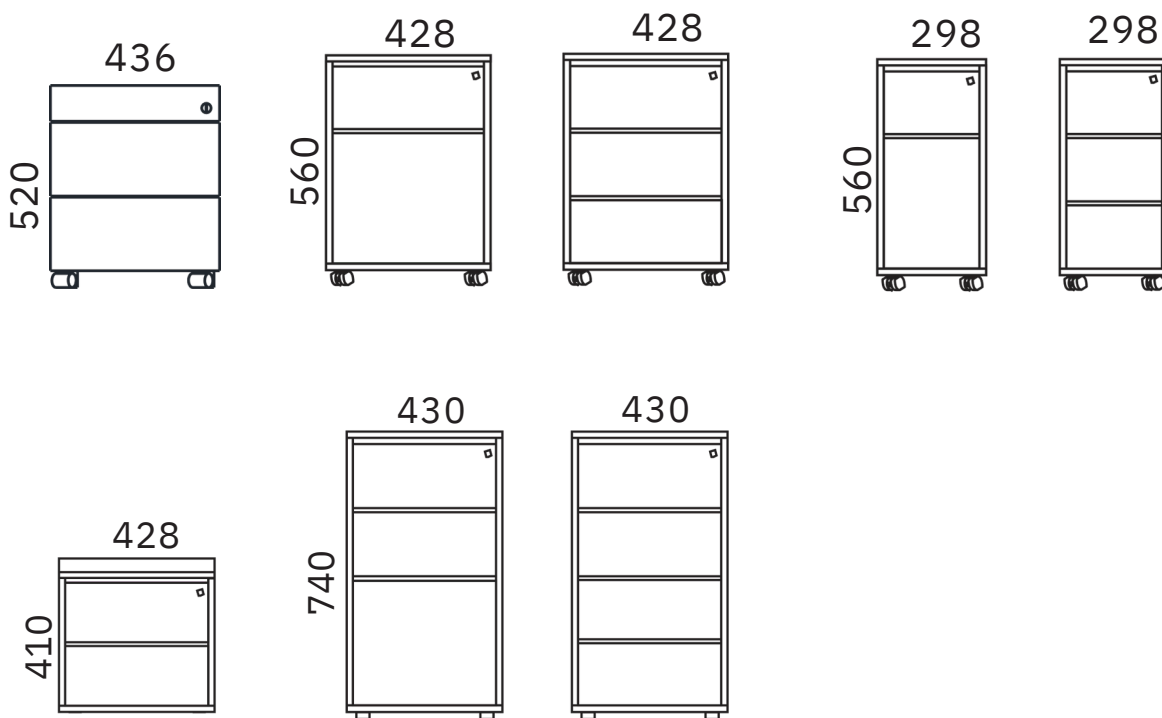
Fittings

- Cams with connecting bolts;
- Lock without metal bars (Basic cabinet);
- Fast assembling hinges (does not require any tools to connect hinges to plates);
- With soft closing function.

Plastic legs

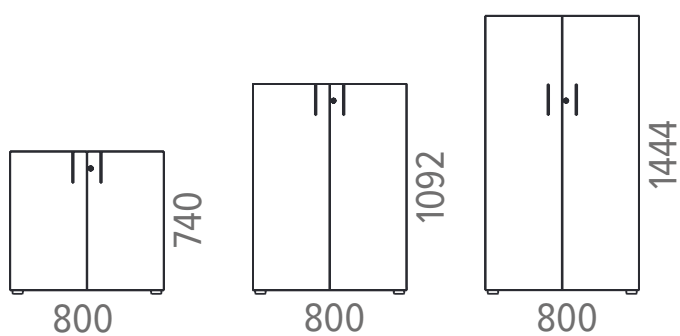
- Black plastic height levelling feet, H=17 mm +10 mm.

Pedestal

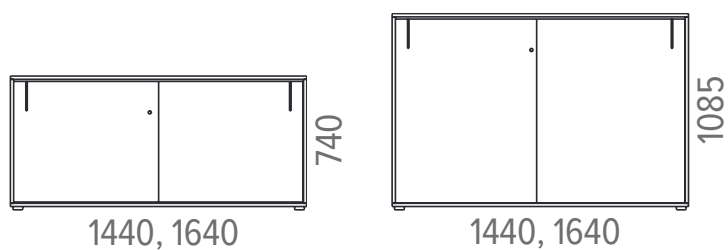


Storage

D360 mm



D400 mm

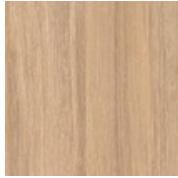


Melamine

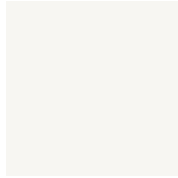
① Group



Whitened Oak (D1)



Amber Oak (D2)



White (M1)



Pearl Grey (N3)

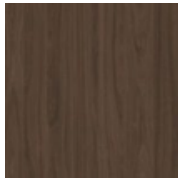


Dark Grey (N1)

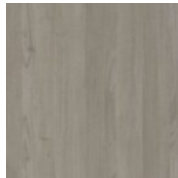
② Group



Sand Ash (D3)



Dark Walnut (D4)



Grey Wood (D5)

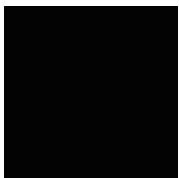


Cubanit Grey (N2)



Black (J4)

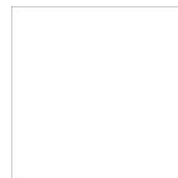
Metal



Black (A)



Grey (M)



White (E)



Anthracite (T1)

aura design



Hub Spaces, 582 Honeypot Lane, Stanmore, HA7 1JS, UK
www.auradesign.co.uk
020 3915 8008
info@auradesign.co.uk